

MS-Q BASIC



Handheld Imager

The MS-Q Basic imager is a performance handheld solution for decoding both linear bar codes and 2D symbols. It reads a wide range of symbols from a variety of printing and marking methods and can be used in rugged industrial environments.

The MS-Q Basic imager can fit in most industrial applications using barcode or 2D symbols and requiring a portable reading device.

MS-Q Basic: At a Glance

- Decodes/second: up to 10
- Read Range: 2 to 16" (51 to 406 mm)
- Bluetooth, USB, RS-232 Interface Options
- Rugged Handle Options:
 - Cabled
 - 3900 mAH



ESP® Easy Setup Program: Single-point software provides quick and easy setup and configuration of all Microscan readers.

For more information on this product, visit www.microscan.com.

MS-Q Basic: Available Codes

Linear	All Standard 	Postal Codes 			
Stacked	MicroPDF 	PDF417 	GS1 Databar 		
2D	Data Matrix 	QR 	Micro QR 	Aztec 	Maxicode

Read Area

With advanced “dual-decode zone” technology, the MS-Q Basic easily captures linear and 2D symbols at distances from 2 to 16” (51 to 406 mm). The wide read area allows fast and reliable decoding.

User-Friendly Design

All MS-Q imagers feature point-and-click targeting with a red laser spot to quickly center the symbol in the field of view. Beeper, vibrator and multipurpose performance indicators provide real-time feedback.

High Processing Speed

Fast processing speed adds to the MS-Q Basic’s ability to acquire and decode multiple symbologies within seconds of each other, without any adjustment to the imager.

System Integration

All MS-Q imagers are available in 3 configuration options including batch, cabled or wireless Bluetooth.

Batch Mode

Batch mode is a wireless way to collect thousands of decoded symbols for later download. MS-Q imagers are capable of performing more than 8000 reads from a single battery charge (3900 mAH) and buffer a minimum of 1 MB of data in nonvolatile memory.

Application Examples

- Automotive
- Aerospace
- Electronics
- Inventory
- Department of Defense suppliers

MS-Q BASIC IMAGER SPECIFICATIONS AND OPTIONS

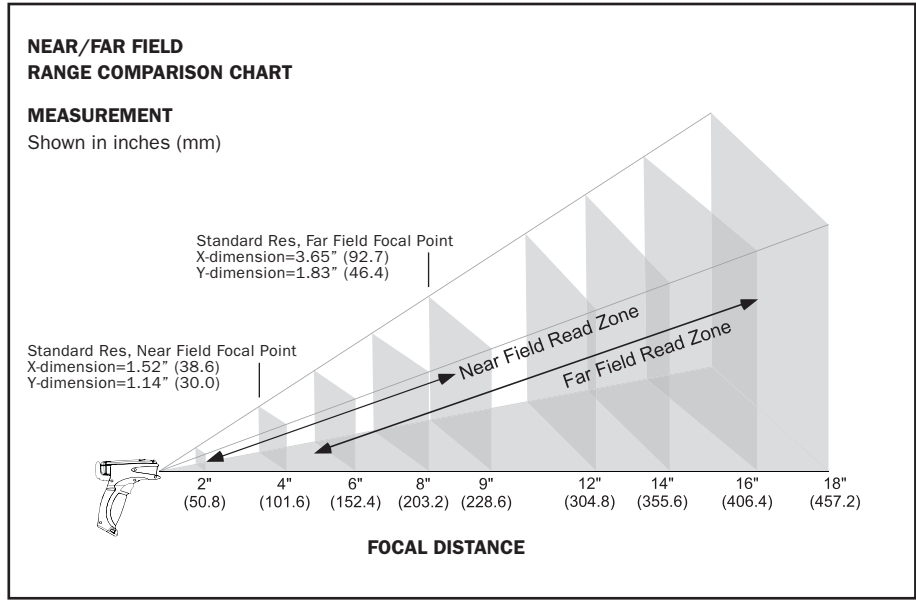
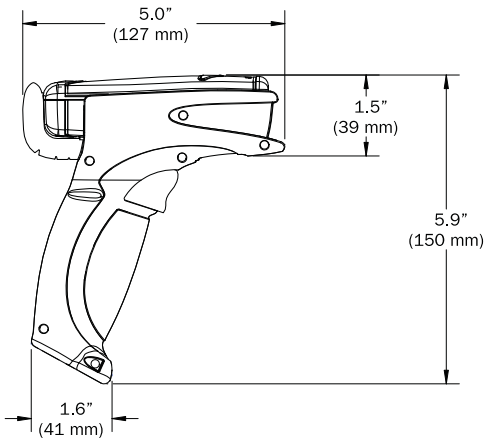
IMAGER MECHANICAL

Height: 1.3" (33 mm)
Width: 1.8" (46 mm)
Depth: 4.3" (109 mm)
Weight: 4 oz. (113g) not including cable
Cable Length: 6' (1.8 m)

HANDLE & BATTERY CHARACTERISTICS

Cabled weight: 4.0 oz. (113g)
Cabled weight with imager: 7.2 oz. (204 g)
With 3900 mAh battery: 6.4 oz. (181 g)
With 3900 mAh battery/imager: 9.6 oz. (272 g)

BATTERY BLANK HANDLE VIEW



READ RANGES, STANDARD RESOLUTION

Narrow Bar-Width	Read Range Distance
.0075" (.191 mm)	3.2 to 3.9" (81 to 99 mm)
.015" (.381 mm)	3.0 to 9.0" (76 to 229 mm)
.020" (.508 mm)	3.0 to 16.0" (76 to 406 mm)

Ranges based on Grade A symbols. Data subject to change.

FIELD OF VIEW, STANDARD RESOLUTION

Distance	Decode Zone
inches/mm	(1024 x 640 pixel, Default)
Near Field of View	
4" (101.6)	1.52 X 1.14" (38.6 X 30 mm)
Far Field of View	
9" (228.6)	3.65 X 1.83" (92.7 X 46.4 mm)

ENVIRONMENTAL

Operating Temperature: 0° to 50° C (32 to 122° F)
Storage Temperature: -20° to 60° C (-4° to 140° F)
Humidity: 5 to 90% (non-condensing)
Shock: Withstands 100+ drops of 6.5' (2 meters) to concrete

CE STANDARDS

Immunity: EN 55024 **ESD:** EN 61000-4-2
Radiated RF: EN61000-4-3
Keyed Carrier: ENV50204 **EFT:** EN61000-4-4
Conducted RF: EN61000-4-6
Emissions: EN55022, Class B Radiated, Class B Conducted

LIGHT COLLECTION OPTIONS

Sensor: CMOS, progressive scan, 1.33 MP (1024 by 1280) 256 gray scale
Field of View:
Near: 21.5° horizontal by 16.2° vertical
Far: 22.9° horizontal by 11.6° vertical
Standard Resolution Focal Point:
Near: 4" (101.6 mm)
Far: 9" (228.6 mm)
Sensor Array:
Near Field: 1024 by 640 **Far Field:** 1024 by 640



SYMBOLGY TYPES

Linear Barcodes: Code 39, Code 128, I2 of 5, UPC/EAN, Codabar, Codablock F, Code 93, PLANET, PostNet, KIX Code, Postal Codes
Stacked Symbolgies: PDF417, Micro PDF417, GS1 Databar
2D Symbolgies: Data Matrix, MaxiCode, Aztec Code, QR Code, Micro QR Code

COMMUNICATION PROTOCOLS

Standard Interface: USB
Optional Interface: RS-232, Bluetooth Class 1 Radio at 328' (100 m)

READ PARAMETERS

Pitch: ±60° (front to back)
Skew: ±60°
Tilt: 360°
Focal Range: 1 to 16" (25 to 406 mm)
Rotational Tolerance: ±180°
Print Contrast Resolution: 25 percent (barcodes); 35 percent (PDF417); absolute dark/light reflectance differential, measure at 650 nm.
Target Beam: Visible Laser Diode at 630 nm. Class 2
Ambient Light Immunity: Sunlight: Up to 9,000 ft-candles 96,890 lux

INDICATORS

Status Indicators: Memory status, Battery power, Successful decode, and Connection status
Programmable Indicators:
 Beeper or Vibrate option; communicates scanner operation and communication functions to user

IMAGE OUTPUT OPTIONS

Format: Jpeg, Raw (uncompressed)

ELECTRICAL

Power Requirements: 5 VDC (mA)
Typical: 310 **Peak:** 310 **Sleep:** 3
Bluetooth Radio at 295' (90 m) away (mA):
Typical: 280 **Peak:** 350 **Idle:** 96 **Sleep:** 3
Bluetooth Radio at 33' (10 m) away (mA):
Typical: 260 **Peak:** 350 **Idle:** 96 **Sleep:** 3
Life of 3900 mAh Battery with Radio: will support 8000 read/transmits per charge including 16 hours of standby interval
Batch Memory: Minimum of 1MB

SAFETY CERTIFICATIONS DESIGNED FOR

FCC, CE

ROHS/WEEE COMPLIANT

ISO CERTIFICATION

Certified ISO 9001:2008 Quality Management System

©2011 Microscan Systems, Inc. SP014D 01/11

Read Range and other performance data is determined using high quality Grade A symbols per ISO/IEC 15415 and ISO/IEC 15416 in a 25°C environment. For application-specific Read Range results, testing should be performed with symbols used in the actual application. Microscan Applications Engineering is available to assist with evaluations. Results may vary depending on symbol quality. **Warranty**—One year limited warranty on parts and labor. Free extended 3 year warranty upon online product registration.

MICROSCAN®

Microscan Systems Inc.

Tel 425 226 5700 / 800 251 7711
 Fax 425 226 8250

Microscan Europe

Tel 31 172 423360 / Fax 31 172 423366

Microscan Asia Pacific

Tel 65 6846 1214 / Fax 65 6846 4641

www.microscan.com

Product Information: info@microscan.com
 Auto ID Support: helpdesk@microscan.com
 Vision Support: visionsupport@microscan.com
 NERLITE Support: nerlitesupport@microscan.com